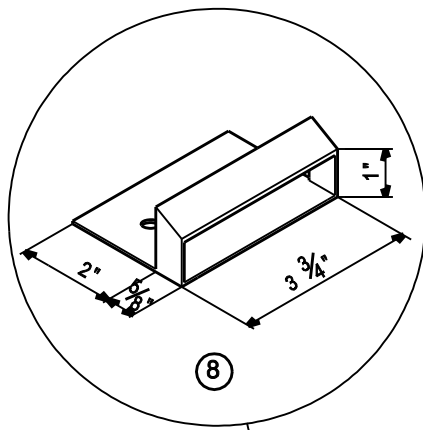


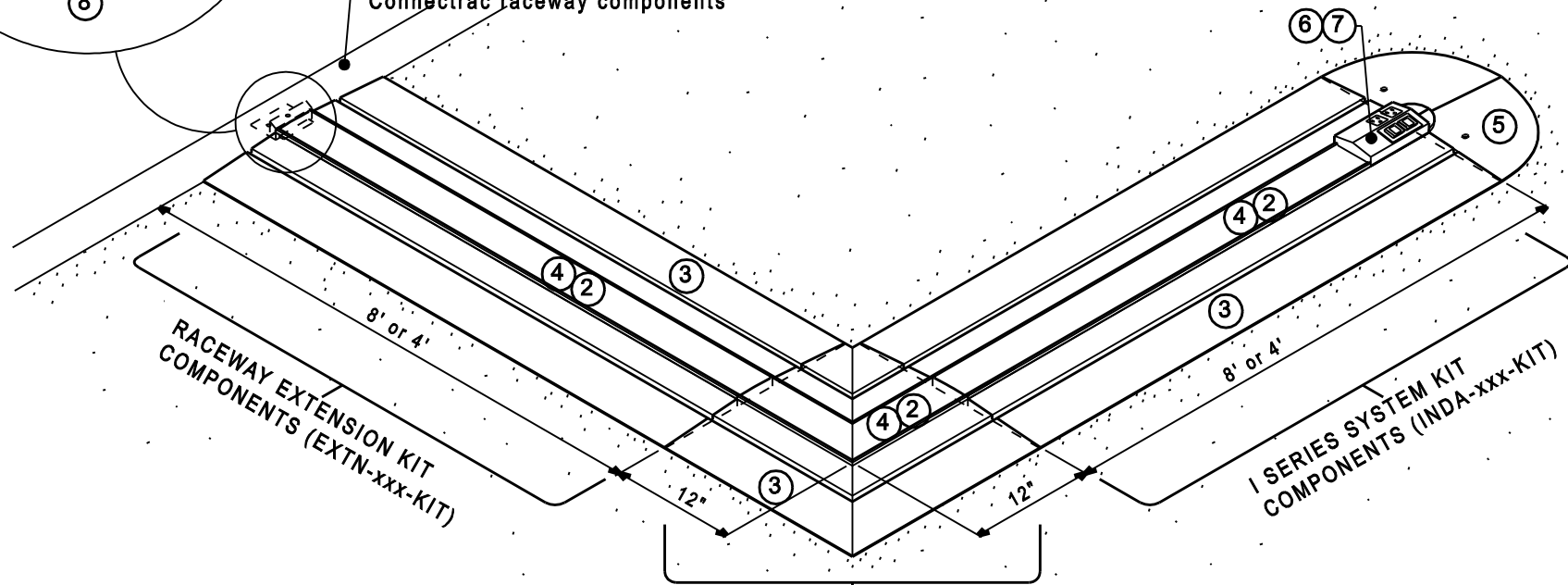
CONNECTRAC

Protected by US patents 6,566,598 and 6,844,493; other patents pending



8

Wall base by others; use template (TEMP-000) to cut wall base to shape of Connectrac raceway components



RACEWAY EXTENSION KIT COMPONENTS (EXTN-xxx-KIT)

I SERIES SYSTEM KIT COMPONENTS (INDA-xxx-KIT)

90 DEGREE CORNER KIT COMPONENTS (CRNR-090-KIT)
(45 DEGREE CORNER KITS ALSO AVAILABLE)

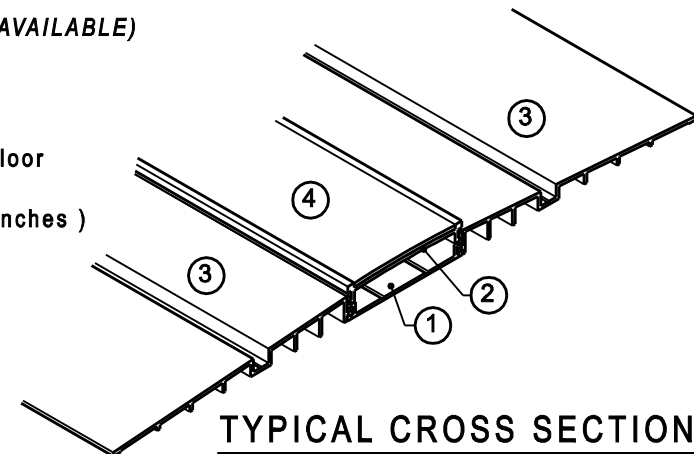
I SERIES SYSTEM COMPONENTS

(Ideal for conference tables, desks)

1. Extruded aluminum base track (8' or 4') (BTRK-xxx, where xxx = length in inches)
2. Extruded aluminum raceway cap (7.5' or 3.5') (CAPC-xxx, where xxx = length in inches)
3. Extruded PVC side ramps, 2 each, (8' or 4') (RAMP-xxx, where xxx = length in inches); to be covered by floor covering
4. Optional Roppe® rubber top finish strip (8' or 4') (RES-xxxx-xxx, where xxxx is color, and xxx = length in inches)
5. Quarter-round end transition ramps, ABS plastic, 2 each (ENDR-000); to be covered by floor covering
6. Metal device box containing 2 simplex outlets, with 24' flexible conduit (RECP-288)
7. Device box cover (black ABS plastic), with attachment screws (COVA-000)
8. Optional rough-in box for new stud wall construction

Other items not shown:

9. Plastic voice / data adapter kit including misc. data and audio / visual ports (BEZL-000)
10. Tapcon concrete screws and drill bit (SCRE-xxx and DBIT-000)
11. Written instructions / other information (INST-I-000)



TYPICAL CROSS SECTION