

# Snake Tray<sup>®</sup> Solutions



**HAND BENDABLE CABLE CONVEYANCE**



# Snake Tray<sup>®</sup>

No cutting. No clipping. No kidding!

*With Snake Tray the only thing you will ever cut is your construction costs!*

Snake Tray's patented hand bendable design allows installers to create turns in 10 seconds versus 20 minutes with wire mesh cable tray. Our hand bendable design combined with Snake Tray's built-in mounting hardware gives Snake Tray the installation cost saving advantage over any other cable

## Just Bend It

- Faster, easier installation with no field fabrication
- No additional parts or tools to buy
- No sharp edges to injure the installer or cable (NEC compliant)

## Built-in Mounting/Hanging Hardware

- Reduces cost, no special hardware required
- Quicker to install

## Single Connection

- Connect trays in just 15 seconds with a single connector bolt
- One connection creates mechanical/electrical bond and creates a high frequency drain

## Hangs from a Single Point

- No strut or trapeze required
- Less labor used

## Trays Nest Together

- Lower freight costs
- Less material handling

## Open Architecture

- Drop-in cable loading

## Superior Finishes

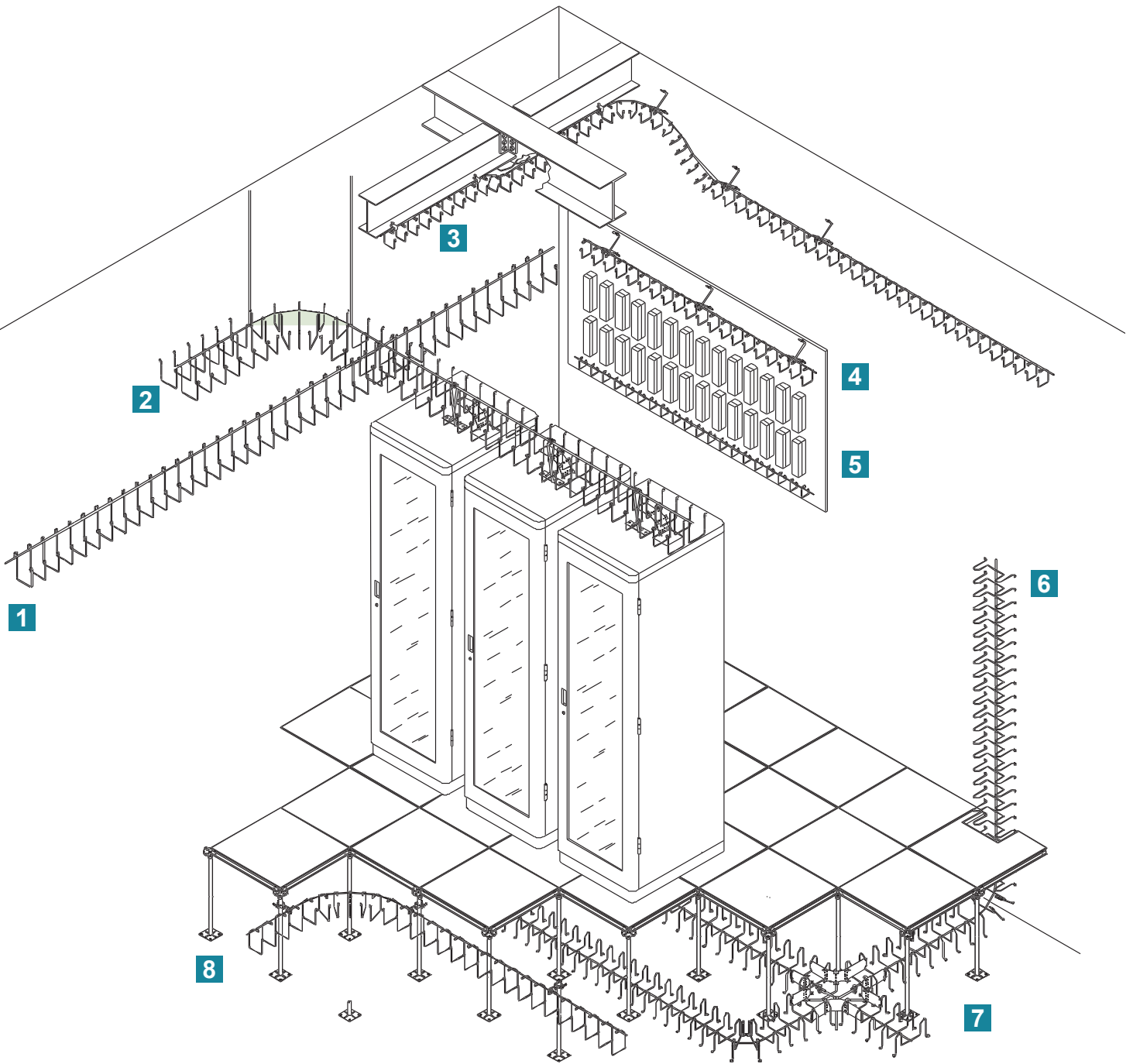
- Snake Tray's unique mechanically applied galvanizing process eliminates the growth of zinc whiskers
- Stainless Steel and Powder Coating also available for all trays

## Quality and Service

- Snake Tray ships from inventory the day it is ordered
- Customer service available 24 hours
- UL and cUL listed (Cable, conduit hardware) for its weight carrying capacity
- EIA/TIA, NEC and NEMA compliant
- Made in the USA



Call the Snake Tray engineering team to assist you with the creation of cable management or power distribution designs, drawing sets, bill of materials, submittals, BIM and Revit<sup>®</sup> support.



**1** 501 Wall Snake Tray instantly installs to the wall without brackets.

**2** 201 Snake Tray double pocket design instantly bends around obstacles and quickly suspends from threaded rod.

**3** 201 Snake Tray single pocket attaches to the building with a simple beam clamp.

**4** 201 Snake Tray with a wall bracket can transition from the wall and then be suspended from overhead.

**5** 401 Snake Race mini cable manager with built-in mounting rings.

**6** 101 Snake Tray easily transitions from under floor to the wall as a riser.

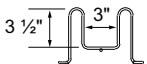
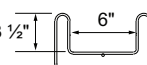
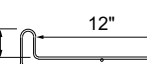
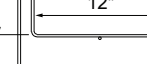
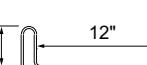
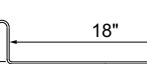
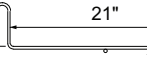
**7** 101 Snake Tray under floor cable tray bends around obstacles and stands on its built-in mounting foot rings.

**8** 201 Snake Tray easily mounts to the floor pedestal and bends around obstacles under the floor.

## 101 Series Snake Tray®

The 101 series Snake Tray is designed for installation below a raised floor and as a riser along vertical surfaces. Available in several sizes, the 101 series tray can accommodate up to 84 square inches of cable path or 860 data cables. Support legs and mounting rings are pre-formed into the tray and require no additional brackets to install. Custom sizes available.



	Part Number	Physical Dimensions	Loading Dimensions		Physical Volume	Cable Capacity	Weight	Finish
		Height/Length/Width	Depth	Width				
	CM 101-3-8	5" x 8' x 7 1/4"	3 1/2"	3"	10 1/2 si	80	6 1/2 #	G/SS/PC
	CM 101-6-8	5" x 8' x 10 1/4"	3 1/2"	6"	21 si	215	7 1/2 #	G/SS/PC
	CM 101-12-8LS	3 1/2" x 8' x 17"	2 1/2"	12"	27 si	280	8 #	G/SS/PC
	CM 101-4-12-8-R6	11 1/2" x 8' x 17"	4"	12"	48 si	480	11 1/2 #	G/SS/PC
	CM 101-12-8	5" x 8' x 17"	3 1/2"	12"	42 si	430	8 1/2 #	G/SS/PC
	CM 101-18-8	5 1/2" x 8' x 23"	4"	18"	72 si	740	11 1/2 #	G/SS/PC
	CM 101-4-21-8-R6	11 1/2" x 8' x 26"	4"	21"	84 si	860	15 #	G/SS/PC

FOR BEST RESULTS IT IS RECOMMENDED THAT SNAKE TRAY BE ANCHORED EVERY FOUR (4) TO FIVE (5) FEET

CABLE CAPACITY BASED ON 50% FILL AS PER NEC ARTICLE 392.9B 0.25 OD

FINISHES: MECHANICALLY APPLIED GALVANIZED FINISH (G), STAINLESS STEEL (SS), POWDER COATED (PC)

CSI SPECIFICATION ON WEBSITE AT [WWW.SNAKETRAY.COM](http://WWW.SNAKETRAY.COM)



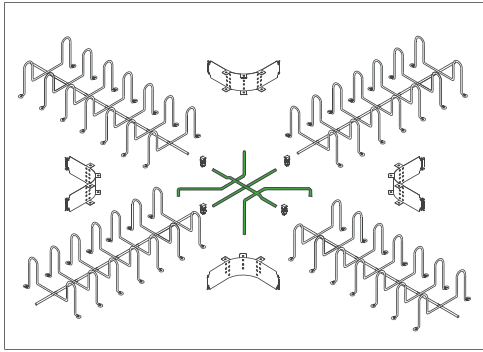
# 101 Series Snake Tray® Accessories

## 101 Series Snake Tray® Intersections Tray configurations for the 101 Intersection components

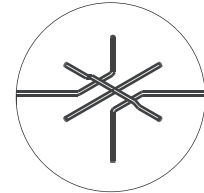
CM 0303 - (4) CM 101-3-8  
 CM 0306 - (2) CM 101-3-8 and (2) CM 101-6-8  
 CM 0312 - (2) CM 101-3-8 and (2) CM 101-12-8/LS  
 CM 0606 - (4) CM 101-6-8  
 CM 0612 - (2) CM 101-6-8 and (2) CM 101-12-8/LS

CM 1212 - (4) CM 101-12-8/LS  
 CM 1818 - (4) CM 101-18-8/LS

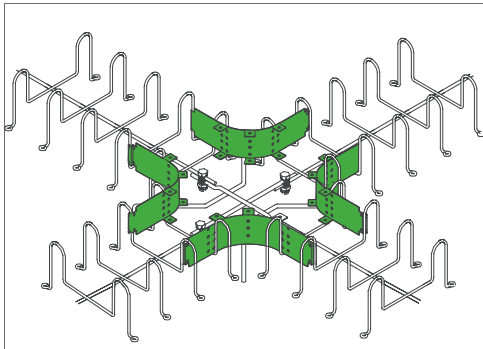
OTHER CONFIGURATIONS AVAILABLE



Part Number	Size
CM 0303	8" x 8"
CM 0306	8" x 11"
CM 0312	8" x 17"
CM 0606	11" x 11"
CM 0612	11" x 17"
CM 1212	17" x 17"
CM 1818	23" x 23"



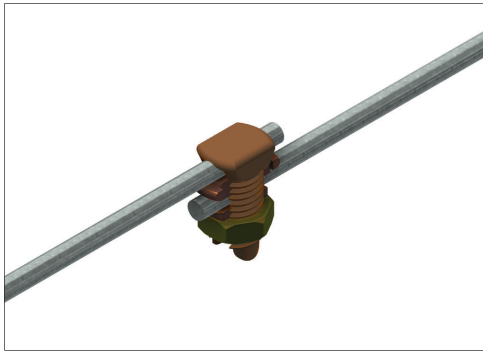
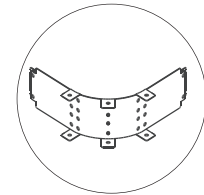
Allows for the construction of both "T" and 4-way crossing intersections when using the 101 series trays.



### Turning Fence

Part Number
TF-101/ TF-101LS

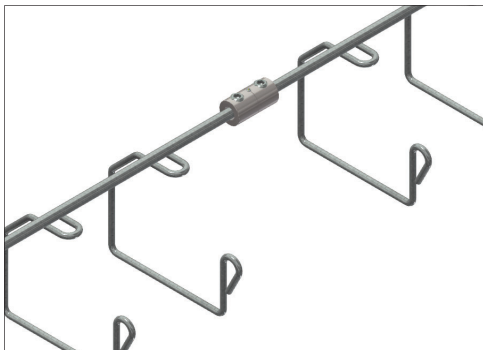
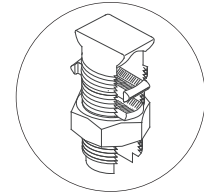
Used when creating 101 series tray horizontal intersections. Creates a consistent smooth transition surface.



### Universal Tray Connector Bolt

Part Number
CB-10

Provides both a mechanical and a bonded electrical connection when joining tray sections to one another. Only one CB-10 required per connection.



### Universal Inline Connector Bolt

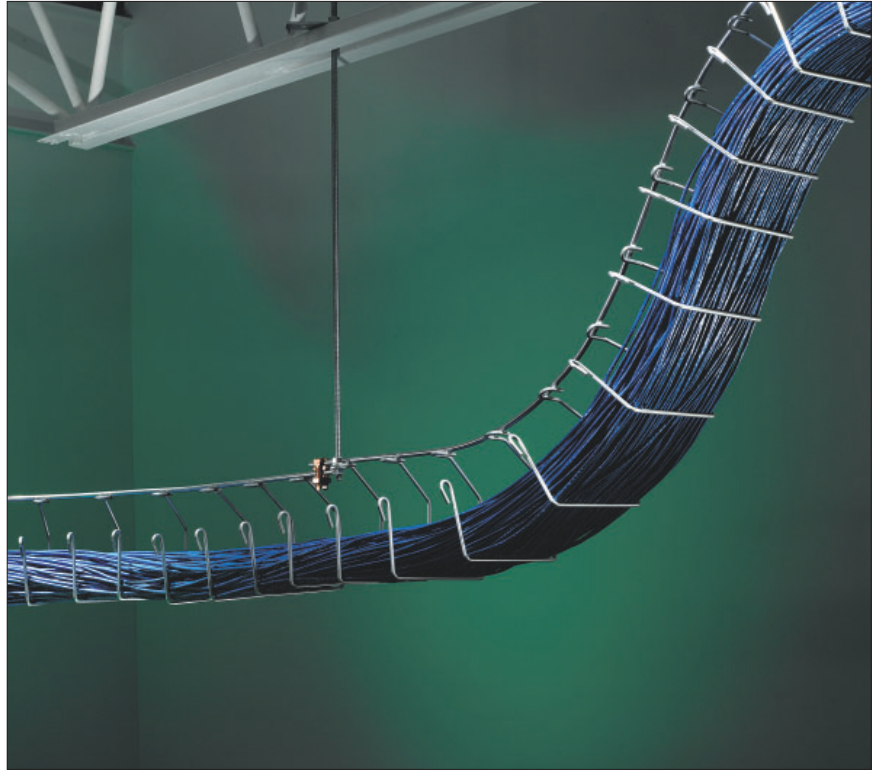
Part Number
CB-12

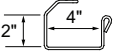
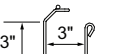

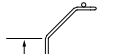
Provides both a mechanical and a bonded electrical connection when joining tray sections to one another. Only one CB-12 required per connection.



## 201 Series Snake Tray®

The 201 series single pocket Snake Tray is utilized both below raised floors and overhead either mounted to walls or suspended from the ceiling. Available in four sizes, the tray can accommodate up to 24 square inches of cable path, equal to a 12" generic basket or ladder type tray. Snake Eyes (mounting rings) are located along the center spine, allowing easy attachment of threaded rod for suspended applications.



	Part Number	Physical Dimensions	Loading Dimensions		Physical Volume	Cable Capacity	Weight	Finish
		Height/Length/Width	Depth	Width				
	CM 201-24-8	3" x 8' x 5"	2"	4"	8 si	82	4 ½ #	G/SS/PC
	CM 201-3-8	4 ⅞" x 8' x 4"	3"	3"	9 si	92	5 #	G/SS/PC
	CM 201-425-8	6 ¼" x 8' x 5 ¼"	4 ¼"	4 ¼"	18 si	185	5 ½ #	G/SS/PC
	CM 201-6-8	6 ¾" x 8' x 7"	4"	6"	24 si	250	6 ½ #	G/SS/PC

FOR BEST RESULTS IT IS RECOMMENDED THAT SNAKE TRAY BE ANCHORED EVERY FOUR (4) TO FIVE (5) FEET

CABLE CAPACITY BASED ON 50% FILL AS PER NEC ARTICLE 392.9B 0.25 OD

FINISHES: MECHANICALLY APPLIED GALVANIZED FINISH (G), STAINLESS STEEL (SS), POWDER COATED (PC),  
CSI SPECIFICATION ON WEBSITE AT WWW.SNAKETRAY.COM

## 201 Series Double Snake Tray®

The Double Snake Tray with its double pocket design provides a natural separation for both voice/data cables and fiber. Accommodating up to 50 square inches of cable path Double Snake can manage over 500 voice/data cables both below raised floors or overhead either mounted to walls or suspended from the ceiling. Snake Eyes (mounting rings) are located along the center spine, allowing easy attachment of threaded rod for suspended applications.



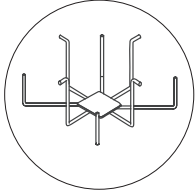
	Part Number	Physical Dimensions	Loading Dimensions		Physical Volume	Cable Capacity	Weight	Finish
		Height/Length/Width	Depth	Width				
	CM 201-425D-8	7 1/4" x 8' x 11 1/2"	4 1/4"	4 1/4"	36 si	370	8 1/2 #	G/SS/PC
	CM 201-5D-8	8 3/4" x 8' x 13 3/4"	5"	5"	50 si	510	11 #	G/SS/PC

FOR BEST RESULTS IT IS RECOMMENDED THAT SNAKE TRAY BE ANCHORED EVERY FOUR (4) TO FIVE (5) FEET

CABLE CAPACITY BASED ON 50% FILL AS PER NEC ARTICLE 392.9B 0.25 OD  
 FINISHES: MECHANICALLY APPLIED GALVANIZED FINISH (G), STAINLESS STEEL (SS), POWDER COATED (PC)  
 CSI SPECIFICATION ON WEBSITE AT WWW.SNAKETRAY.COM

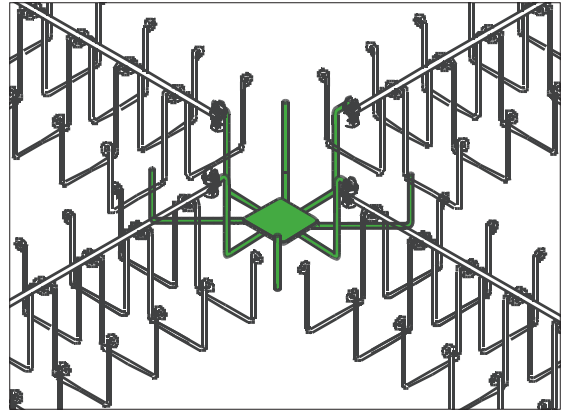
## 201 Snake Tray® Intersections

### Double Snake Tray Intersection

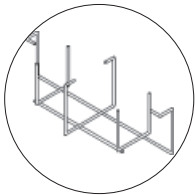


Part Number	Size
CM 425D	12" x 12"
CM 5D	14" x 14"

Installed as either a "T" or 4-way crossing intersection component for the Double Snake 201 series tray.

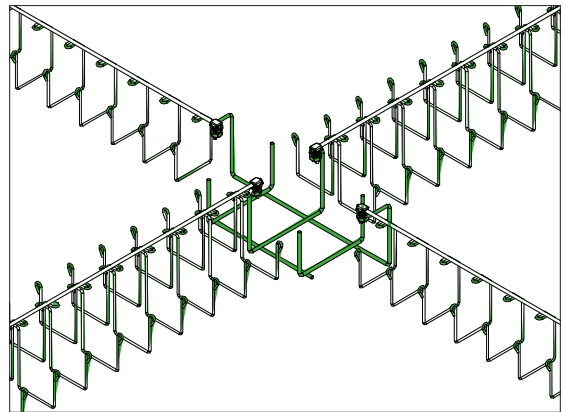


### Intersection/"T" for Double Snake Tray with Single Snake Cross

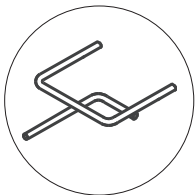


Part Number	Size
CM 425D/425	7 1/2" x 20"

Installed as either a "T" or 4-way crossing intersection component for Double Snake and a Single Snake crossing.

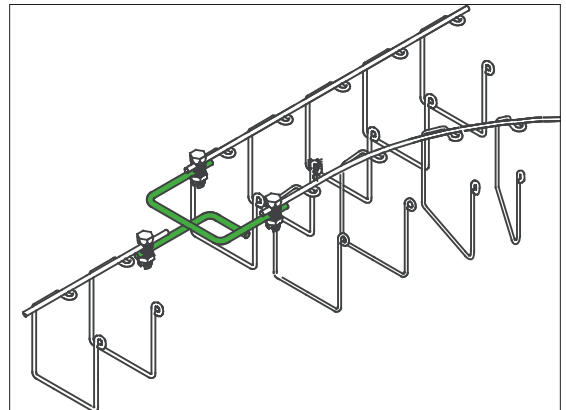


### Y Connection

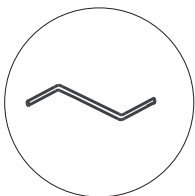


Part Number	Size
CM 201-Y	5" x 6"

Used to create a Y intersection or split Double Snake into two (2) separate cable paths at a terminal end.

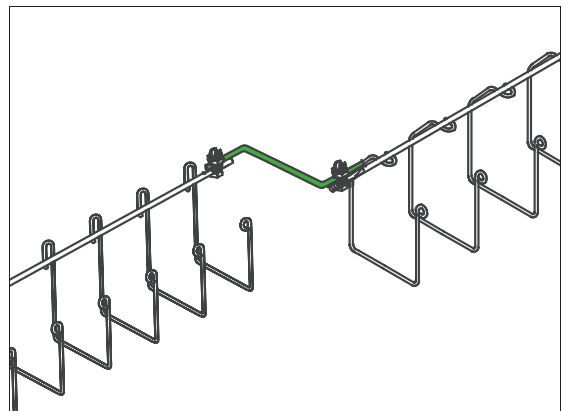


### 201 to 501 Series Connection Adapter



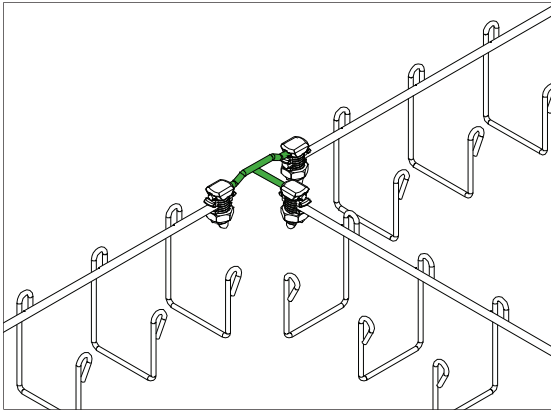
Part Number	Size
CM 201/501T	5 1/4" x 5 1/4"

Used to adapt 201 series to 501 series trays.





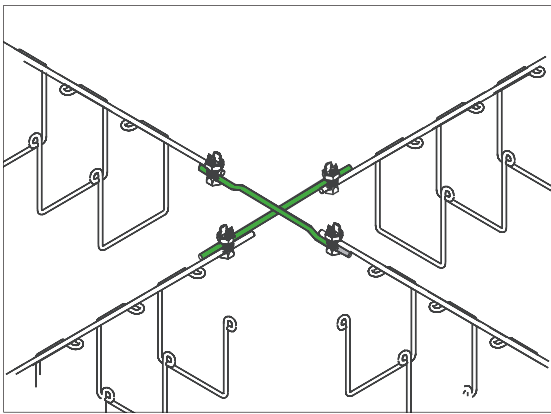
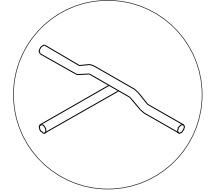
# 201 Snake Tray® Intersections and Accessories



## Universal 201/501 Series Intersection

Part Number	Size
CM 0303T	5 1/2" x 5 1/2"

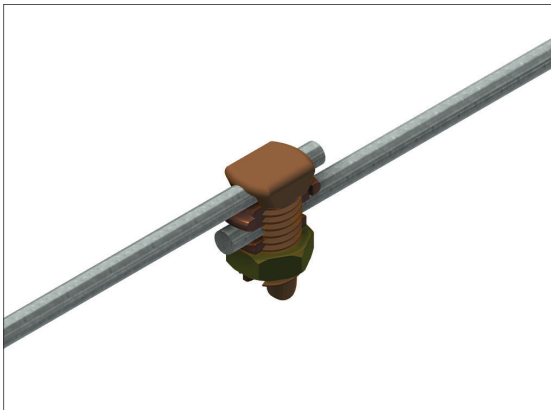
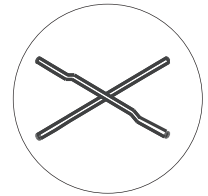
Installed as "T" component for the Snake 201 and 501 series trays.



## Universal 201 Series Intersection

Part Number	Size
CM 0303H	5 1/2" x 5 1/2"

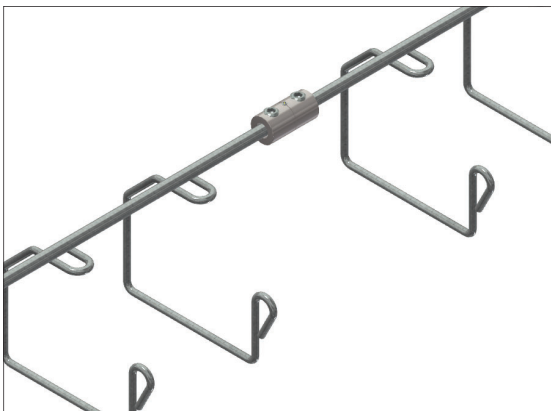
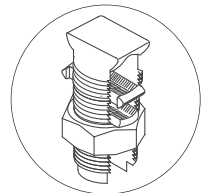
Installed as 4-way crossing intersection component for the 201 Snake Tray Series.



## Universal Tray Connector Bolt

Part Number
CB-10

Provides both a mechanical and a bonded electrical connection when joining tray sections to one another. Only one CB-10 required per connection.



## Universal Inline Connector Bolt

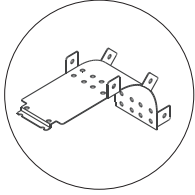
Part Number
CB-12

Provides both a mechanical and a bonded electrical connection when joining tray sections to one another. Only one CB-12 required per connection.



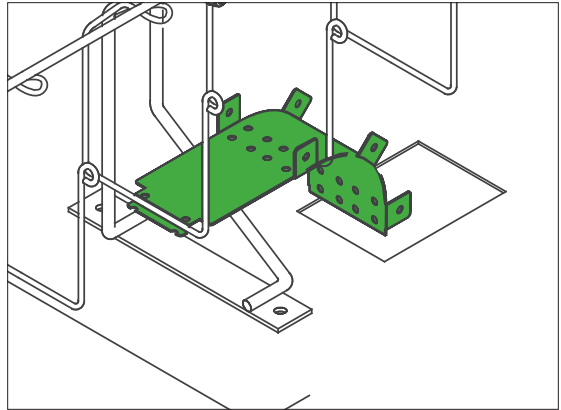
# 201 Snake Tray® Accessories and Mounting Accessories

## Cable Drop-Out Waterfall

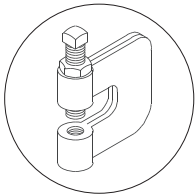


Part Number	Size
TO-2	2" W
TO-3	3" W
TO-425	4 1/4" W
TO-5	5" W
TO-6	6" W

Provides a smooth transition for cables when exiting the tray. Maintains a consistent 4" radius eliminating kinked cables. Easily attaches to tray with cable ties.

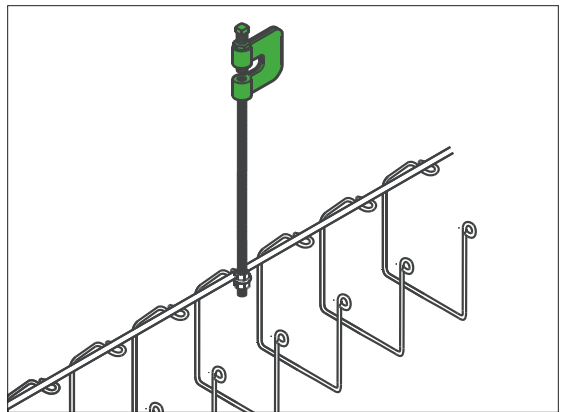


## Beam Clamp for 3/8" Threaded Rod

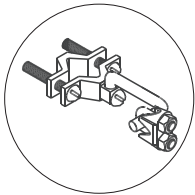


Part Number
BC-201-A

Used to attach 3/8"-16 threaded rod to a beam.

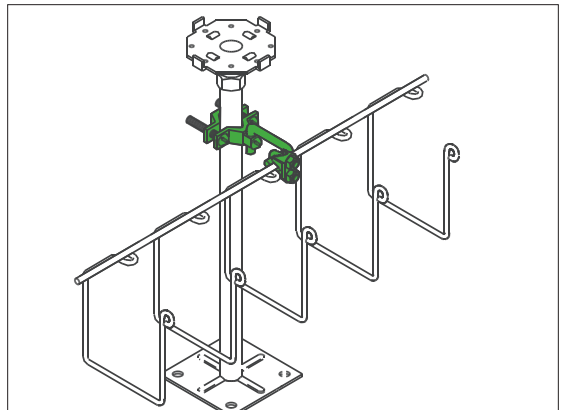


## Pedestal Mount Bracket for 201 Series

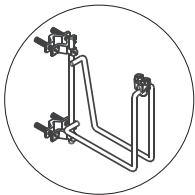


Part Number
ST-201

Used to attach single pocket 201 series Snake Tray to the floor pedestals utilized in the construction of raised access floors.

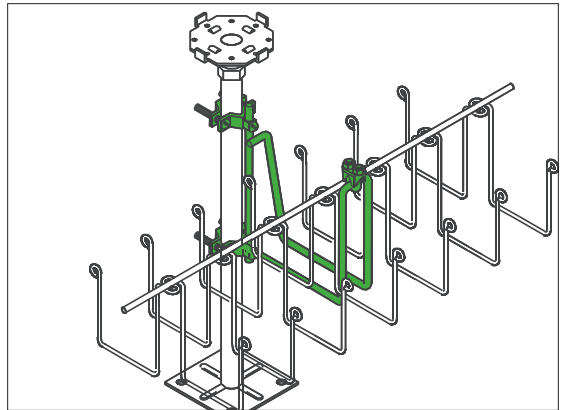


## Pedestal Mount Bracket for 201 Series Double

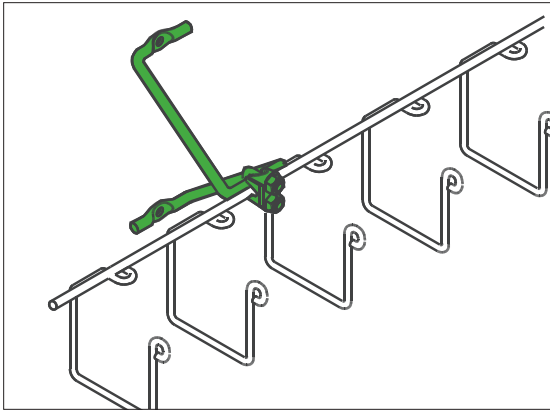


Part Number
ST-201-D
ST-201-5D

Used to attach double pocket 201 series Double Snake to the floor pedestals utilized in the construction of raised access floors.



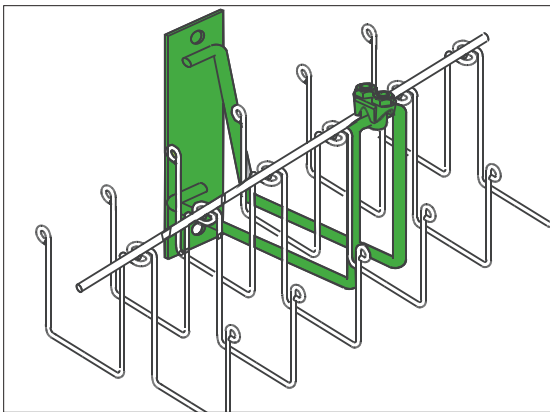
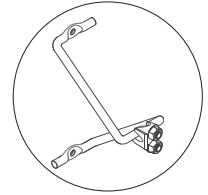
# 201 Snake Tray® Mounting Accessories



## Wall Mount Bracket for 201 Series Single

Part Number
WBN-201

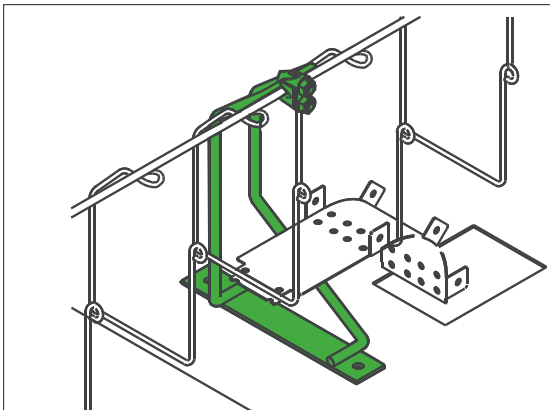
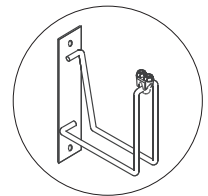
Used to attach single pocket 201 series Snake Tray to walls and other vertical surfaces. Clamp to attach to tray included.



## Wall Mount Bracket for 201 Series Double

Part Number
WBN-201D
WBN-2015D

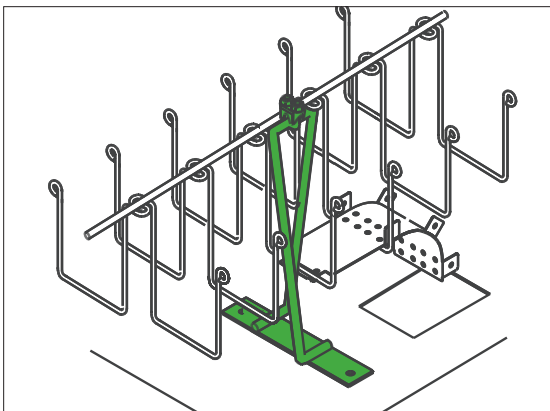
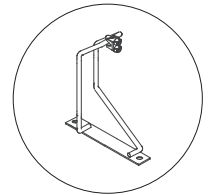
Used to attach double pocket 201 series Double Snake to walls and other vertical surfaces. Clamp to attach to tray included.



## Cabinet Mount Bracket for 201 Series Single

Part Number
CBN-201
CBN-201-90

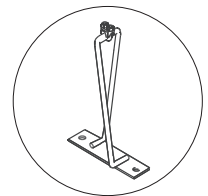
Used to attach single pocket 201 series Snake Tray to the tops of equipment cabinets. Clamp to attach to tray included.



## Cabinet Mount Bracket for 201 Series Double

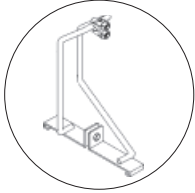
Part Number
CBN-201D
CBN-2015D

Used to mount double pocket 201 series Double Snake to the tops of equipment cabinets. Clamp to attach to tray included.



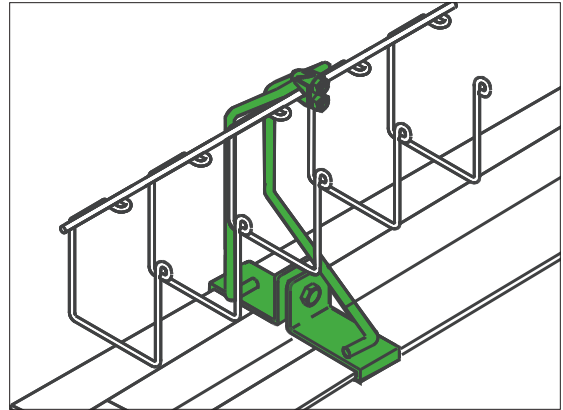
# 201 Snake Tray® Mounting Accessories and Hardware

## Rack Mount Bracket for 201 Series

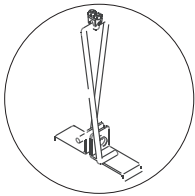


Part Number
RBN-201
RBN-201-90

Used to mount single pocket 201 series Snake Tray to the tops of standard equipment racks via a built-in clamping feature. No additional hardware required. RBN-201-90 mounts to the tray perpendicularly. Clamp to attach to tray included.

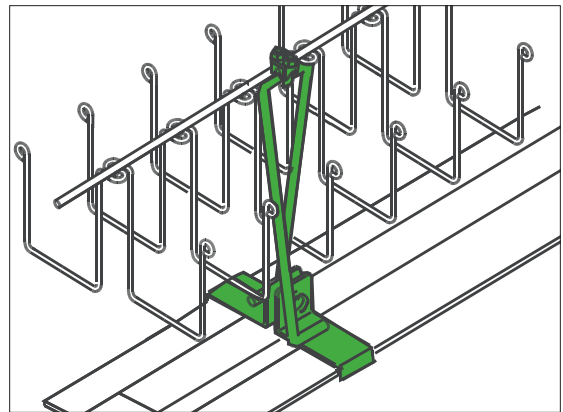


## Rack Mount Bracket for 201 Series Double



Part Number
RBN-201 D

Used to mount double pocket 201 series Double Snake to the tops of standard racks via a built-in clamping feature. No additional hardware required. Clamp to attach to tray included.



## Seismic Bracing Kits, Crimp Tool and Cutter

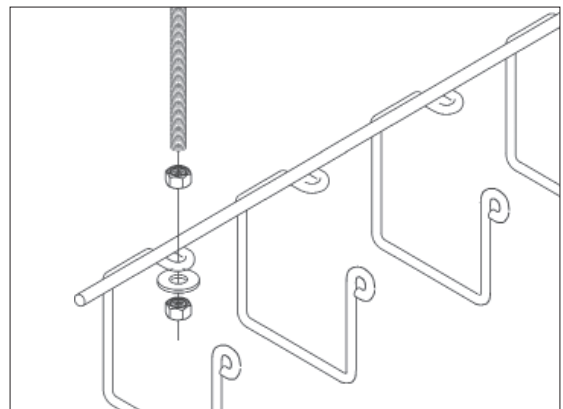
Part Number	Description
CM 201/801-SBK1-07	Kit for Anchoring Snake Tray and Mega Snake in Concrete Ceilings
CM 201/801-SBK-J-07	Kit for Anchoring Snake Tray and Mega Snake around Joists
CM 201/801-SBK-L-07	Kit for Anchoring Snake Tray and Mega Snake with Lag Bolts into Wood Beams
CM 201/801-SB-CT	Crimp Tool
CM 201/801-SB-CU	Cutter



## Threaded Rod

Part Number	Description
TR-1	3/8" x 12" Threaded Rod
TR-2	3/8" x 24" Threaded Rod
TR-3	3/8" x 36" Threaded Rod
TR-4	3/8" x 48" Threaded Rod
TR-6	3/8" x 72" Threaded Rod
TR-8	3/8" x 96" Threaded Rod

Pre-cut and pre-chased threaded rod for overhead tray installations. All rods are 3/8"-16 10/24 high strength steel as per ASTM A36 and available in 1', 2', 3', 4', 6', and 8' lengths. Rods are inserted through the patented Snake Eyes and secured with two 3/8" hex nuts and one flat washer. No additional mounting accessories are necessary.





# Hardware



## Concrete Wedge Anchor

Part Number
CM WA-XX

XX DENOTES SIZE

- Anchor diameter equals hole diameter
- Comes complete with nuts and washers ready for use
- Collar expander offers 360° contact with masonry
- Projections on collar immediately grip concrete



## Concrete Anchor

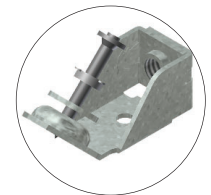
Part Number
CM CA-38

Stud type anchor design allows easy through-type fastenings and can be set in a bottomless hole. Pre-assembled anchor ensures easy and fast installation. Anchor size is same as drill bit size for easy installation. Comprehensive testing to ensure high performance in block, masonry and concrete base materials. Bulged middle section with round and diamond shaped openings prevents the anchors from spinning in the hole or dropping out when setting it overhead. Anchors 101 and 407 series of any applications with a 1/4" hole.

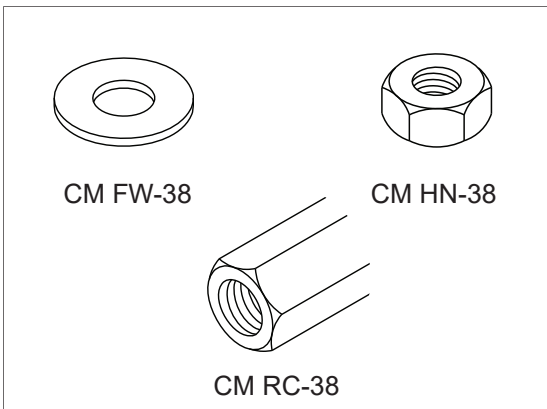


## Hanger Bracket for Threaded Rod Suspension

Part Number
CM TR-HBS for Steel
CM TR-HBC for Concrete



Hanger bracket for powder-actuated fastening. Design allows for easy installation using any 8 mm power actuated fastening system. Available for both steel and concrete. The new, versatile hanger that simplifies threaded rod suspension.

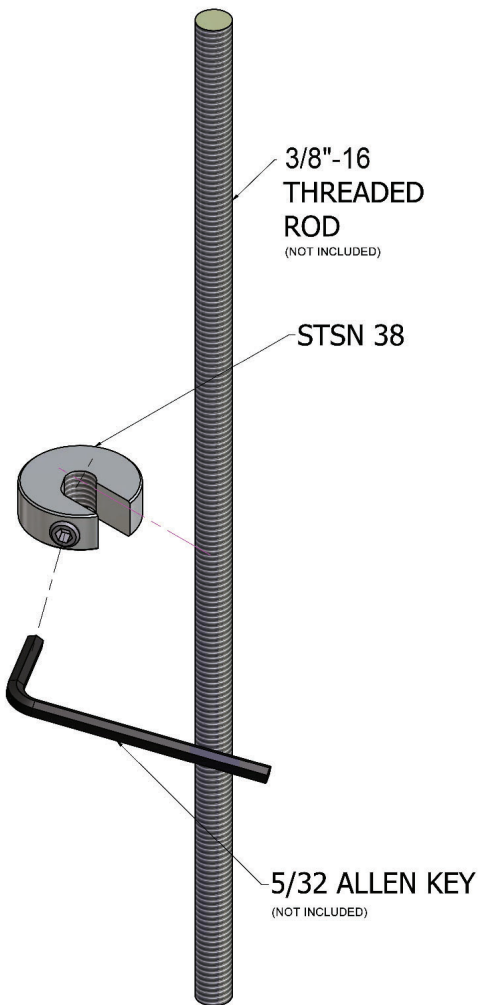
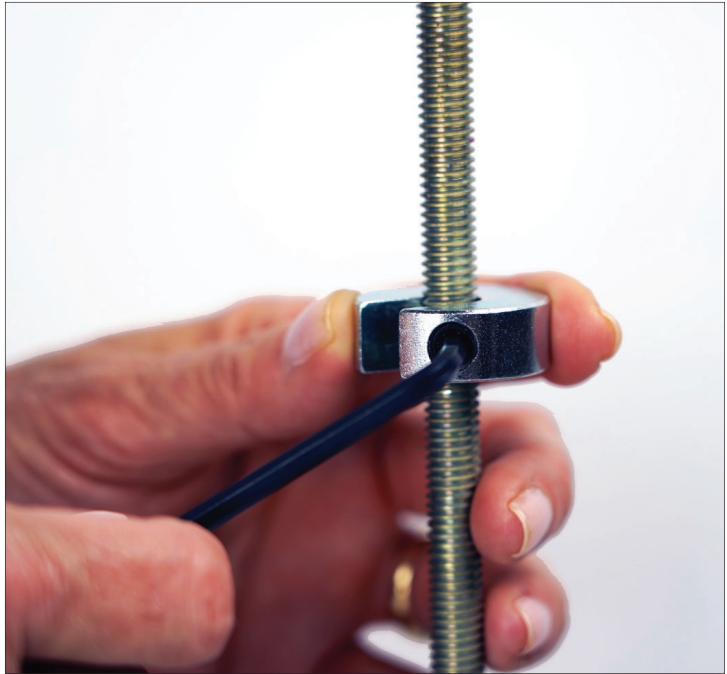
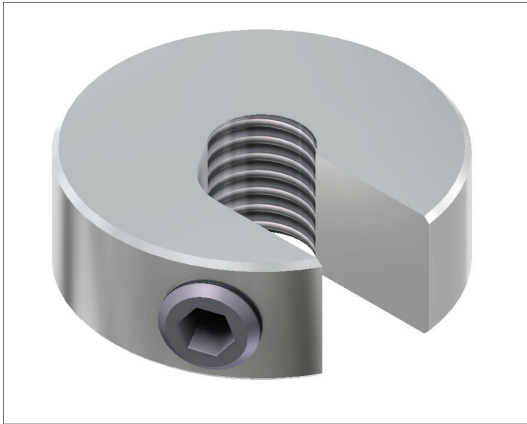


## Attachment Hardware

Part Number	Description
CM-FW-38	Zinc Plated 3/8" Washer
CM-HN-38	Zinc Plated 3/8" Hex Nut
CM-RC-38	Zinc Plated 3/8" Rod Coupling

## Hardware - Snake Nut™ Threaded Rod Fastener

This innovative fastener eliminates the labor intensive need to hand thread hex nuts up a threaded rod. Simply insert the Snake Nut anywhere on the threaded rod and tighten into place with a set screw. Once locked into place, Snake Nut has been tested to hold up to 6,800 pounds.



Part Number	Description
STSN 38	Fits 3/8"-16 Threaded Rod
STSN 12	Fits 1/2"-13 Threaded Rod
STSN 58	Fits 5/8"-11 Threaded Rod

**Material:** Steel

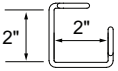
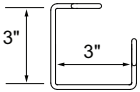
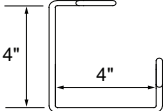
**Finish Coat:** Clear Zinc

**Snake Nut™ Patent No:** 8622679

## 401 Series Snake Race™

Snake Race is a mini cable manager that will handle up to 145 voice/data cables. Mounting rings run along two planes allowing for multiple mounting configurations. Hand bendable design allows for easy changes in direction without using tools or additional hardware. Snake Race eliminates any undue stresses on sagging cables by maintaining support and proper bending radii for all types of cable especially in situations where generic J-type hooks might be installed. Great for tight spaces, security applications, residential, schools and office environments including office furniture.



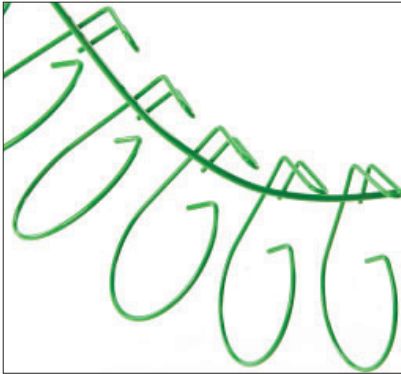
	Part Number	Physical Dimensions	Loading Dimensions		Physical Volume	Cable Capacity	Weight	Finish
		Height/Length/Width	Depth	Width				
	CM 401-2-8	2 ½" x 8' x 2 ½"	2"	2"	3 si	30	3 #	G/SS/PC
	CM 401-3-8	3 ½" x 8' x 3 ½"	3"	3"	7 ½ si	75	3 ½ #	G/SS/PC
	CM 401-4-8	4 ¼" x 8' x 4 ¼"	4"	4"	14 si	145	4 #	G/SS/PC




FOR BEST RESULTS IT IS RECOMMENDED THAT SNAKE TRAY BE ANCHORED EVERY FOUR (4) TO FIVE (5) FEET

CABLE CAPACITY BASED ON 50% FILL AS PER NEC ARTICLE 392.9B 0.25 OD  
 FINISHES: MECHANICALLY APPLIED GALVANIZED FINISH (G), STAINLESS STEEL (SS), POWDER COATED (PC)  
 CSI SPECIFICATION ON WEBSITE AT [WWW.SNAKETRAY.COM](http://WWW.SNAKETRAY.COM)

## 454 Universal Snake Tray®

- Hand bendable (No cutting required!)
- Protects and secures both fiber and copper cables in all directional plains
- Maintains the proper bend radius for optimal performance
- Built-in mounting rings can be attached either overhead or on a wall
- Designed for easy pulling or loading cables from the side
- Nests together for low cost shipping and material handling
- Self limiting cable count for code compliant convenience of power over ethernet systems



	Part Number	Physical Dimensions	Loading Dimensions	Physical Volume	Cable Capacity	Weight	Finish
		Height/Length/Width	Diameter				
	CM 454-2-8	3 3/4" x 8' x 2 3/8"	2"	3 si	30	3 #	G/SS/PC
	CM 454-4-8	5 3/4" x 8' x 4 3/8"	4"	12 si	120	5 #	G/SS/PC
	CM 454-6-8	7 3/4" x 8' x 6 3/8"	6"	28 si	260	7 #	G/SS/PC

FOR BEST RESULTS IT IS RECOMMENDED THAT SNAKE TRAY BE ANCHORED EVERY FOUR (4) TO FIVE (5) FEET

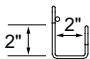
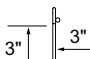

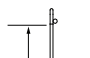
CABLE CAPACITY BASED ON 50% FILL AS PER NEC ARTICLE 392.9B 0.25 OD  
 FINISHES: MECHANICALLY APPLIED GALVANIZED FINISH (G), STAINLESS STEEL (SS), POWDER COATED (PC)  
 CSI SPECIFICATION ON WEBSITE AT [WWW.SNAKETRAY.COM](http://WWW.SNAKETRAY.COM)



## 501 Series Wall Snake Tray®

Wall Snake is the perfect solution for long linear installations where space is at a premium. The 501 series trays are designed to allow the tray to be directly attached to a wall without brackets using integrated mounting rings located along the center spine of the tray. These mounting rings eliminate the need for additional brackets or hanging hardware to complete the installation.



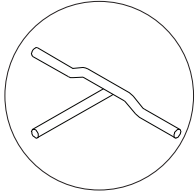
	Part Number	Physical Dimensions	Loading Dimensions		Physical Volume	Cable Capacity	Weight	Finish
		Height/Length/Width	Depth	Width				
	CM 501-2-8	3 1/2" x 8' x 2 1/2"	2"	2"	4 si	40	4 #	G/SS/PC
	CM 501-3-8	4 1/2" x 8' x 3 1/2"	3"	3"	9 si	92	4 1/2 #	G/SS/PC
	CM 501-5-8	6 1/2" x 8' x 5 1/2"	5"	5"	25 si	255	5 1/2 #	G/SS/PC
	CM 501-6-8	7 1/2" x 8' x 6 1/2"	6"	6"	36 si	367	7 #	G/SS/PC

FOR BEST RESULTS IT IS RECOMMENDED THAT SNAKE TRAY BE ANCHORED EVERY FOUR (4) TO FIVE (5) FEET

CABLE CAPACITY BASED ON 50% FILL AS PER NEC ARTICLE 392.9B 0.25 OD  
 FINISHES: MECHANICALLY APPLIED GALVANIZED FINISH (G), STAINLESS STEEL (SS), POWDER COATED (PC)  
 CSI SPECIFICATION ON WEBSITE AT WWW.SNAKETRAY.COM

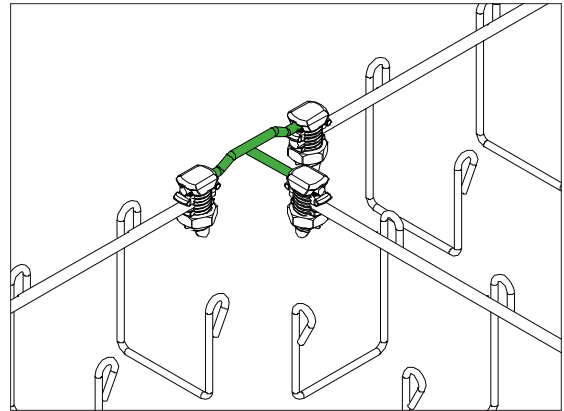
# 501 Series Wall Snake Tray<sup>®</sup> Accessories

## Universal 201/501 Series Intersection

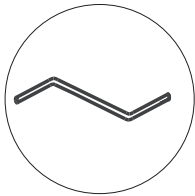


Part Number	Size
CM 0303T	5 1/2" x 5 1/2"

Installed as "T" component for the Snake 201 and 501 series trays.

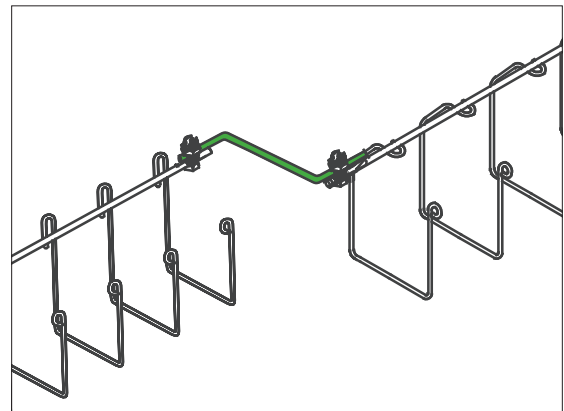


## 201 to 501 Series Connection Adapter

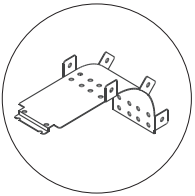


Part Number	Size
CM 201/501T	5 1/4" x 5 1/4"

Used to adapt 201 series to 501 series trays.

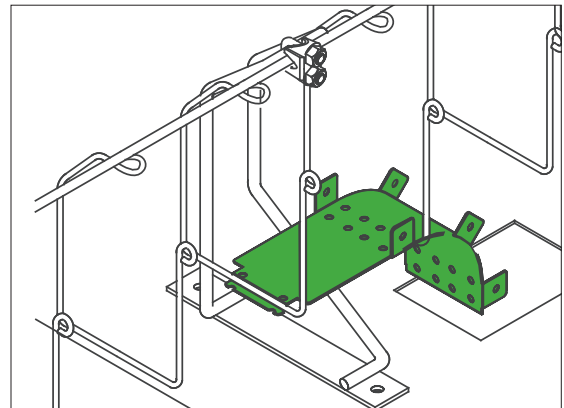


## Cable Drop-Out Waterfall



Part Number	Size
TO-2	2" W
TO-3	3" W
TO-425	4 1/4" W
TO-5	5" W
TO-6	6" W

Provides a smooth transition for cables when exiting the tray. Maintains a consistent 4" radius eliminating kinked cables. Easily attaches to tray with cable ties.



## Concrete Anchor for 501 Series Wall Snake<sup>™</sup>

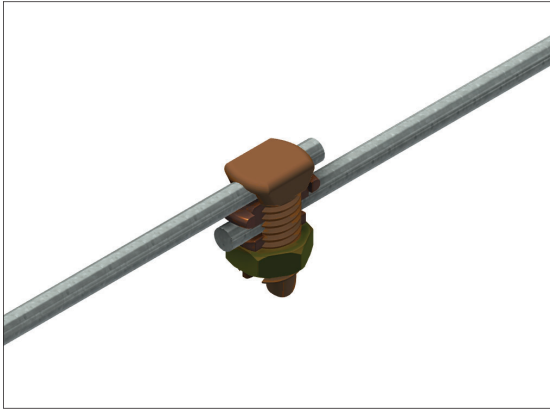
Part Number
CM 501-CA

Stud type anchor design allows easy through-type fastenings and can be set in bottomless hole. Pre-assembled anchor ensures easy and fast installation. Anchor size is same as drill bit size for easy installation. Comprehensive testing to ensure high performance in block, masonry and concrete base materials. Special design prevents the anchors from spinning in the hole. Anchor won't drop out while setting overhead.

Reprinted from information and permission received from the Hilti company



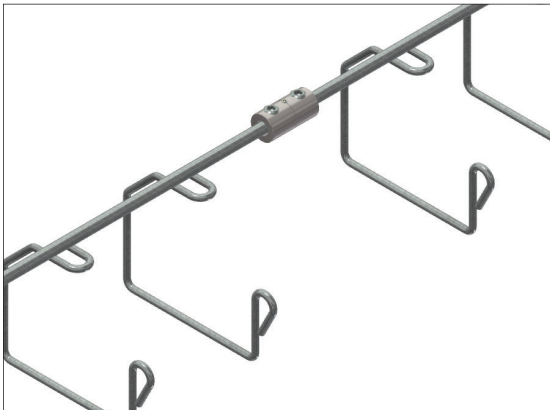
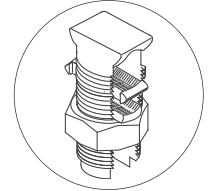
## 501 Series Wall Snake Tray® Accessories



### Universal Tray Connector Split Bolt

Part Number
CB-10

Provides both a mechanical and a bonded electrical connection when joining tray sections to one another. Only one CB-10 required per connection.



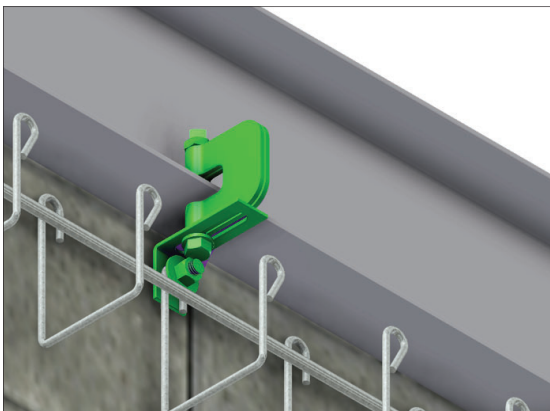
### Universal Tray Inline Connector Bolt

Part Number
CB-12

Provides both a mechanical and a bonded electrical connection when joining tray sections to one another. Only one CB-12 required per connection.



- Set screws max torque=230 in-Lbs

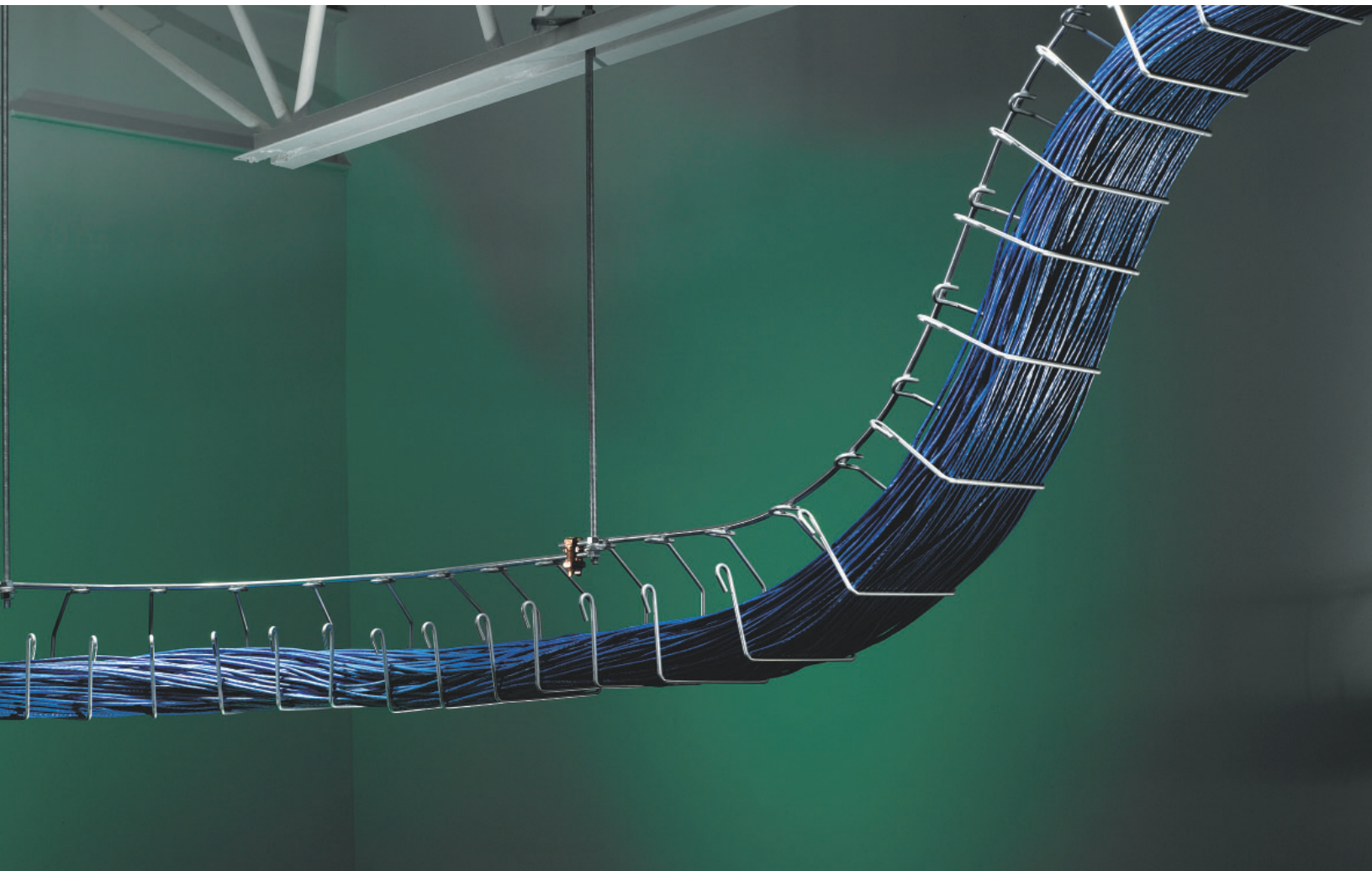


### I-Beam Clamp

Part Number
CM 501-IBW

Bracket for 501 Series Tray to I-Beam.





## THE SNAKE TRAY ADVANTAGE

Snake Tray has revolutionized cable management, power distribution and enclosures with a variety of innovative products designed to install quickly, reduce labor and material costs, and significantly drive down the total cost of construction. All of our products are made in the USA and stocked throughout the USA to ship on time for our customers. Our engineers and sales teams stand ready to assist you with take offs, bill of materials and product solutions. Call us at 800-308-6788 to discuss your next project.



Snake Tray® Headquarters  
291 Skip Lane | Bay Shore NY 11706 | USA  
T: 800-308-6788 | 631-674-0004  
Regional Operations: Chicago | Dallas | Reno  
[www.snaketray.com](http://www.snaketray.com) | MADE IN USA

Document No. MKTG-0235 | February 2021 | © 2021 Snake Tray