

BYRNE

Qi Charging Puck

OVERVIEW

With the magic of wireless inductive charging at its center, our installed Qi Charging Pucks take easy to a whole new level. The sleek grommet design can be quickly installed in any table or worksurface, and once in place, provides cord-free, tangle-free power for any Qi-enabled device. The hidden mount sits just below the worksurface. No hole, no clutter – just the same smooth surface you started with. (Stickers that indicate where to charge are included.) Simply set down your smartphone or tablet where needed and you're powering up – all from a single outlet. Now, that's magic with muscle.



Shown here: Surface Mount

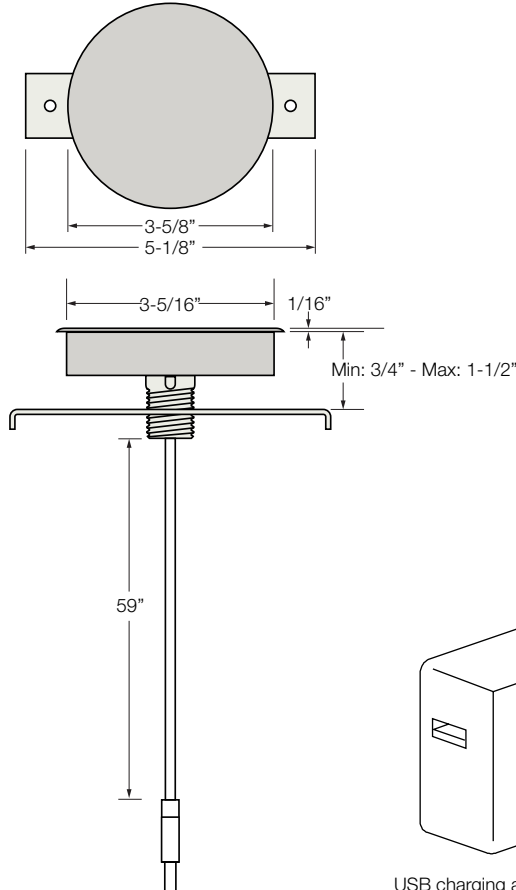
SPECIFICATIONS

10W Max Output

Samsung 10W Fast Charge
iPhone 7.5W Fast Charge

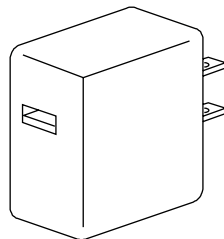
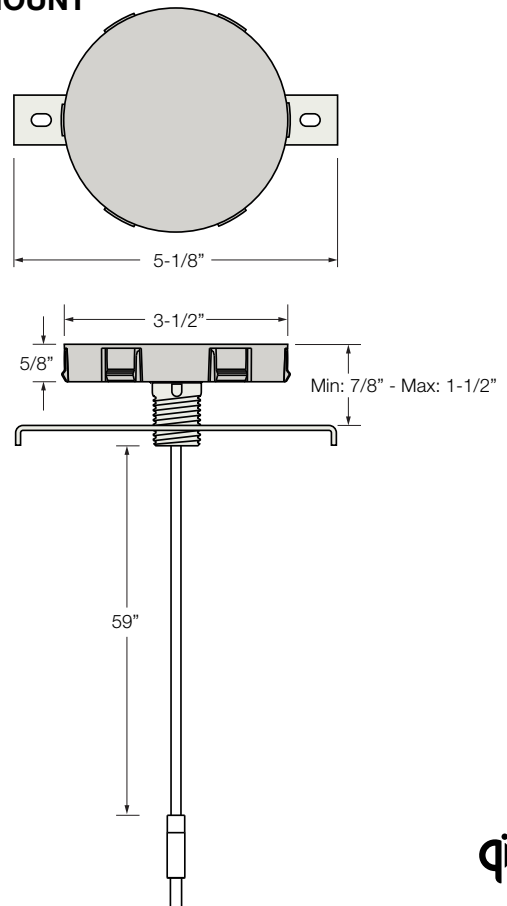
SURFACE MOUNT

BE07643



HIDDEN MOUNT

BE07644



USB charging adapter included



CUT OUT DIMENSIONS

MOUNT	DIAMETER	DEPTH	BRACKET WIDTH
Surface	85mm	THROUGH SURFACE Min: 3/4" — Max: 1-1/2"	5-1/8"
Hidden	90mm	LEAVE 2-3MM OF SURFACE INTACT Min: 7/8" — Max: 1-1/2"	5-1/8"

FINISHES

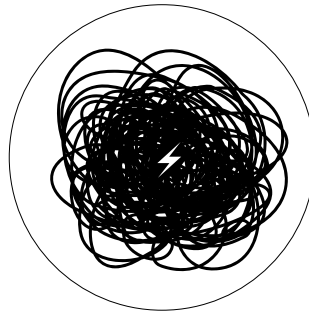
MOLDED PLASTIC



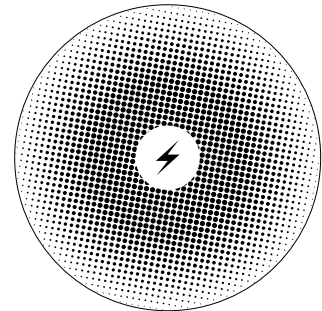
Black Molded Plastic

DESKTOP DECALS

Both stickers are included with Hidden Mount.
Replacement Part Number BE06500



Printed in Black on Clear



Printed in White on Clear

