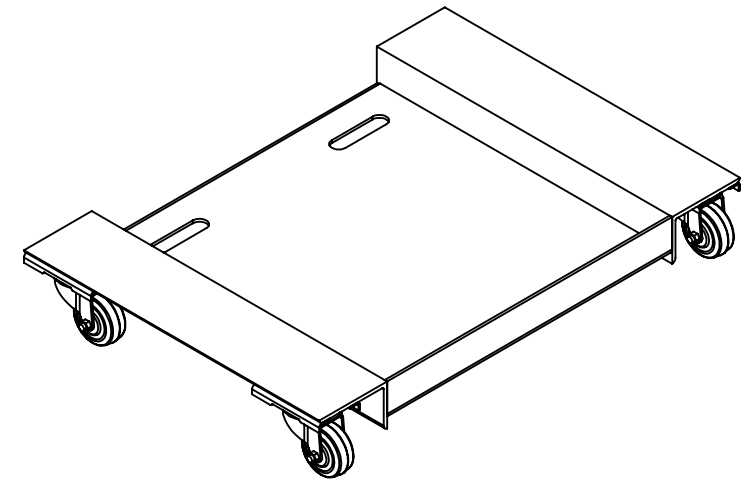
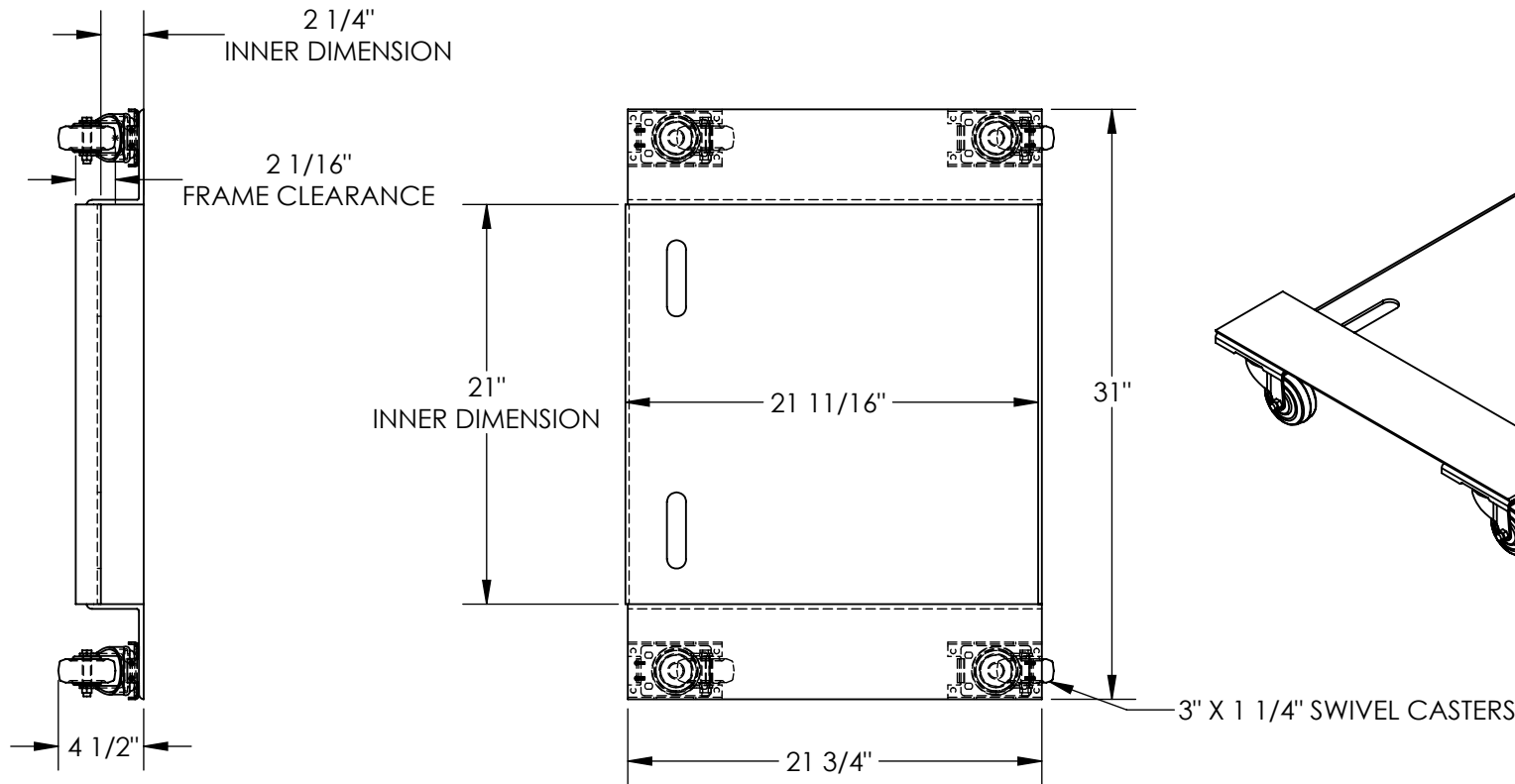


# LO-PROFILE FLOOR HUGGER DOLLY - LFH-55

APPROX WEIGHT: 59.50 lbs.  
DOES NOT INCLUDE WEIGHT OF POWER OR PACKAGING!!!

\*\*\* ANY ADDITIONS, DELETIONS, OR OMISSIONS MUST BE CORRECTED ON THIS DRAWING AS THIS DRAWING WILL BE CONSIDERED ALL INCLUSIVE \*\*\*

ALL GRAPHICS PROVIDED ARE FOR REFERENCE ONLY. IF CERTAIN DIMENSIONS ARE CRITICAL PLEASE VERIFY THOSE DIMENSIONS WITH YOUR SALESPERSON



## STANDARD FEATURES

- MODEL NUMBER IS LFH-55
- UNIFORM STATIC CAPACITY IS 840 LBS
- TOUGH BAKED IN POWDER COATED ERGO BLUE FINISH
- OVERALL SIZE IS (W X L X H):  
31" X 21 3/4" X 4 1/2"
- USEABLE SIZE IS (W X L X H):  
21" X 21 1/2" X 2 5/16"
- FRAME FLOOR CLEARANCE IS 15/16"
- (4) 3" X 1 1/4" HARD RUBBER SWIVEL CASTERS

## SPECIAL FEATURES

NONE

<b>APPROVAL</b>	I, THE UNDERSIGNED, AGREE THAT THE PRODUCT AS REPRESENTED SATISFIES DESIGN AND DIMENSION REQUIREMENTS. I ALSO ACKNOWLEDGE MY DUTY TO CONFIRM PRODUCT AND INSTALLATION COMPLIANCE WITH ALL APPLICABLE FEDERAL, STATE AND LOCAL REGULATIONS AND STANDARDS.	
	<b>ANY MODIFIED UNITS ARE NON-RETURNABLE</b>	
	[ ] As drawn      [ ] As marked	
	Signed: _____ Date: _____	
	Printed Name: _____	
<i>LEAD TIME WILL START UPON RECEIPT OF SIGNED APPROVAL DRAWING</i>		

FOR INTERNAL USE ONLY PROJECT SIGN OFF		DISTRIBUTOR'S NAME:		P.O.#			
		VESTIL MANUFACTURING		X			
SALES		DRAWN BY:	DY	DATE:	07/19/10	W.O.#	X
ENG.		REFERENCE:	X	SCALE:	1:10	SALES:	X
FAB.		QUOTED LEAD TIME:	X	QUOTE #	X	FILE NAME:	16-007-016
POWER							