

Save time:  
fit cable assemblies quickly in  
bundles, available in 2 sizes

Flexible:  
adjust and change  
loops at any time

Opening principle:  
TE14/TE26 version can  
be opened along the outer and  
TZ14/TZ26 can be opened  
along the inner radius

Simple:  
favorable alternative to  
complex hinged cable trays

Short lengths:  
well-suited to short  
lengths, ideally 5 - 10 links

Flexible:  
can be bent in  
1 or 2 directions


## Fit cable assemblies quickly in bundles - snapchain

igus® snapchain cost effective e-chains® for simple fillings. snapchains are easy to assemble and cost effective. If an easy solution for minor number of travels is required.

### Typical industries and applications

- Switch cubicle construction
- Electrical equipment
- Computer cubicles
- Office furniture
- Wherever cables are moved infrequently



Series	Length loops [mm]	Pitch [mm]	Bend radius <i>R</i> [mm]	Page
				
<b>Version TE -</b> loops open along the outer radius				
<b>Version TZ -</b> loops open along the inner radius				
TE14.50	50	30,5	028 - 125	192
TE26.120	120	56	063 - 200	193
TZ14.50	50	30,5	028 - 125	192
TZ26.120	120	56	063 - 200	193

### Technical data



Material - permitted temperature °C, igumid NB

-40°C – +80°C



Flammability class, igumid NB

VDE 0304 IIC UL94-V2

### Order example | Order key and colour options based on series TE26.



Order example for complete e-chain® (1,0 m), colour black:

e-chain® (1,0 m)

Please indicate chain-lengths or number of links

TE26.120.100.0

Order text: 1,0 m TE26.120.100.0



### Order key

Version TE openable along the outer radius

Version TZ openable along the inner radius

Version "TE" or "TZ"

Series / Type

Length of loops

Bend radius *R*

Colour index (standard black)

TE26.120.100.0

TZ26.120.100.0

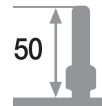


### General igus® colour options for e-chains® and e-tubes

Colours	Order index	Colours	Order index
Black	Standard, from stock! .0	White	for e-chains®/e-tubes .1
Slate grey	only ESD material .ESD	Grey white	for e-chains®/e-tubes .1S
Grey brown	only HT material .HT	Orange	for e-chains®/e-tubes .2
Grey	only for e-chains® .3	Yellow	for e-chains®/e-tubes .4
Dusty grey	only for e-tubes .31	Light grey	e-chains®/e-tubes .14

Black e-chains® available from stock!

Delivery time for special colours: upon request



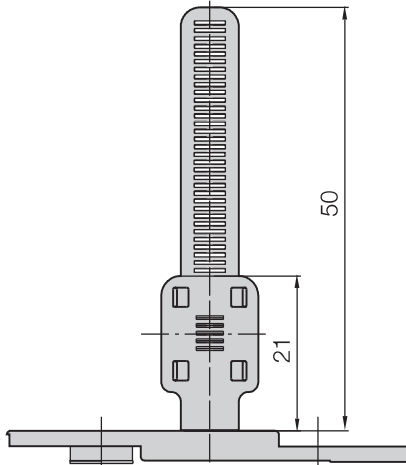
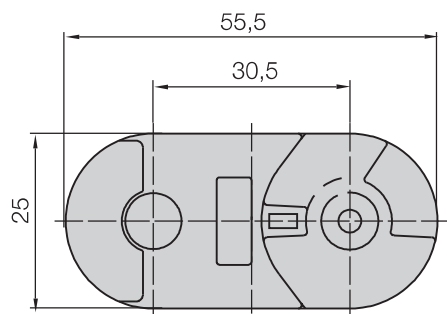
Series TE14 | Loops open along the outer radius  
Series TZ14 | Loops open along the inner radius

Openable along the outer radius	Openable along the inner radius	R Bend radii [mm]	Weight [kg/m]
TE14. 50.R.0*	TZ14. 50.R.0	028   038   048   075   100   125	~ 0,15

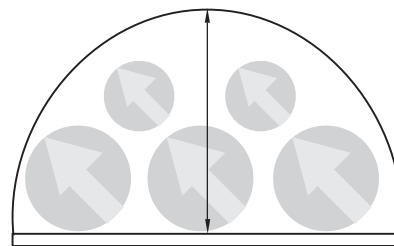
\*also available as RBR (Reverse Bend radius) Part No. TE14.50.Radius/Radius

Supplement Part No. with required radius (R). Example: TE14.50.100.0

### Dimensions



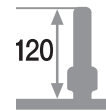
Pitch 30,5 mm/link  
Links/m 33 (1006,5 mm)  
Chain length  $S/2 + K$



Cable package max.: 18 mm

# snapchain | Series TE26·TZ26 | Product range

Fit cable assemblies quickly in bundles, large size



TE26  
TZ26



Series TE26 | Loops open along the outer radius

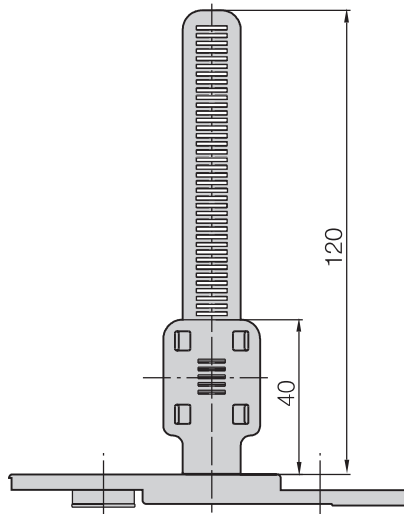
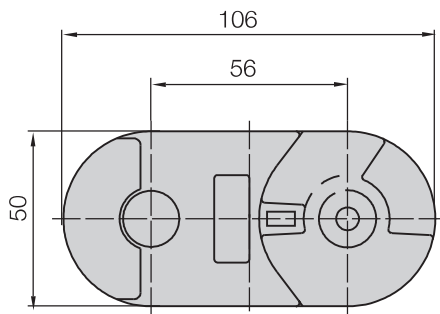
Series TZ26 | Loops open along the inner radius

Openable along the outer radius	Openable along the inner radius	R Bend radii [mm]	Weight [kg/m]
TE26.120.R.0*	TZ26.120.R.0	063   075   100   125   150   200	≈ 0,43

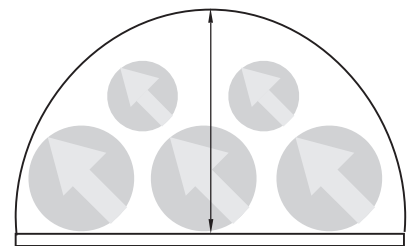
\*also available as RBR (Reverse Bend radius) Part No. TE26.120.Radius/Radius

Supplement Part No. with required radius (R). Example: TE26.120.100.0

## Dimensions



Pitch 56 mm/link  
Links/m 18 (1008 mm)  
Chain length  $S/2 + K$



Cable package max.: 47 mm



Request Info



1-800-453-1692

[www.aboveboardelectronics.com](http://www.aboveboardelectronics.com)