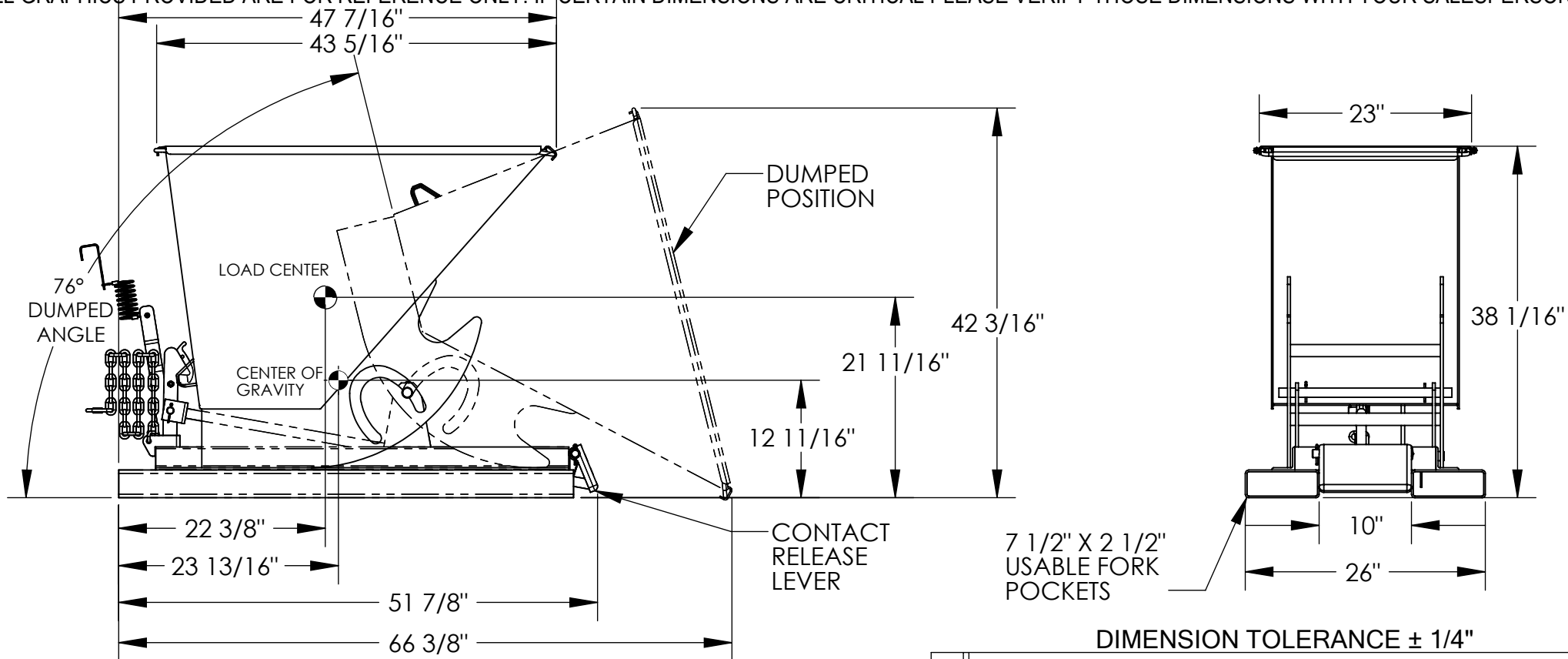


# SELF-DUMPING STEEL HOPPER W/ BUMPER RELEASE - D-25-MD

APPROX WEIGHT: 396.80 lbs.  
DOES NOT INCLUDE WEIGHT OF POWER OR PACKAGING!!!

\*\*\* ANY ADDITIONS, DELETIONS, OR OMISSIONS MUST BE CORRECTED ON THIS DRAWING AS THIS DRAWING WILL BE CONSIDERED ALL INCLUSIVE \*\*\*

ALL GRAPHICS PROVIDED ARE FOR REFERENCE ONLY. IF CERTAIN DIMENSIONS ARE CRITICAL PLEASE VERIFY THOSE DIMENSIONS WITH YOUR SALESPERSON



DIMENSION TOLERANCE  $\pm 1/4"$

## STANDARD FEATURES

MODEL NUMBER: D-25-MD  
VOLUME: 1/4 CU. YDS.  
CAPACITY: 4,000 LBS.  
OVERALL WIDTH: 26"  
OVERALL LENGTH: 51 7/8"  
OVERALL HEIGHT: 38 1/16"  
PULL CABLE IS AT LEAST: 48"  
TOUGH BAKED IN POWDER  
COATED BLUE FINISH

APPROX. WEIGHT/ LOST LOAD= 397 LBS. (APPROX)

MINIMUM EFFECTIVE THICKNESS= LESS THAN 1"

NEVER EXCEED LOAD CENTER RATING PER FORK  
TRUCK MANUFACTURER'S GUIDELINES.

DO NOT USE THIS FORK TRUCK ATTACHMENT IF  
LOAD WILL EXCEED FORK TRUCK  
MANUFACTURER'S LOAD CENTER RATING.

## SPECIAL FEATURES

NONE

APPROVAL

I, THE UNDERSIGNED, AGREE THAT THE PRODUCT AS REPRESENTED SATISFIES DESIGN AND DIMENSION REQUIREMENTS. I ALSO ACKNOWLEDGE MY DUTY TO CONFIRM PRODUCT AND INSTALLATION COMPLIANCE WITH ALL APPLICABLE FEDERAL, STATE AND LOCAL REGULATIONS AND STANDARDS.  
**UNITS REQUIRING APPROVAL DRAWINGS OR MODIFIED ARE NON-RETURNABLE**

[ ] As drawn [ ] As marked

Signed: \_\_\_\_\_ Date: \_\_\_\_\_

Printed Name: \_\_\_\_\_

LEAD TIME WILL START UPON RECEIPT OF SIGNED APPROVAL DRAWING

DISTRIBUTOR'S NAME:		P.O.#
VESTIL MANUFACTURING		X
DRAWN BY: W. STALEY		W.O.#
DATE: 5/7/08		X
REFERENCE: X	SCALE: 1:16	SALES: X
QUOTED LEAD TIME: X	QUOTE # X	FILE NAME:
		37-007-077

\*\*\*ADDITION OF CASTERS MAY CHANGE WEIGHT  
CAPACITY BASED ON CASTER RATING\*\*\*