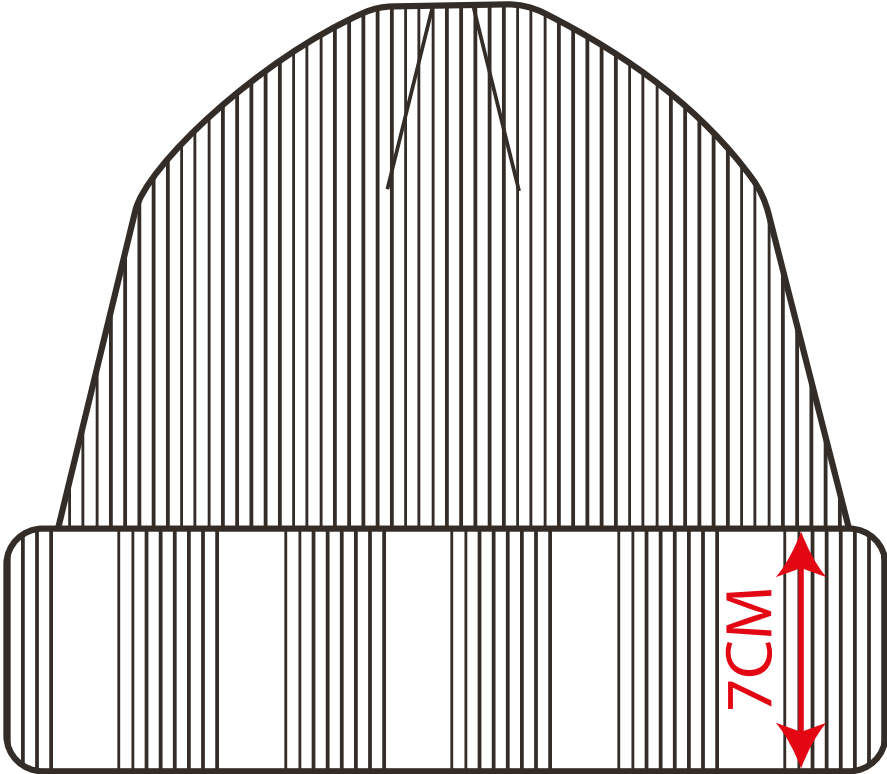


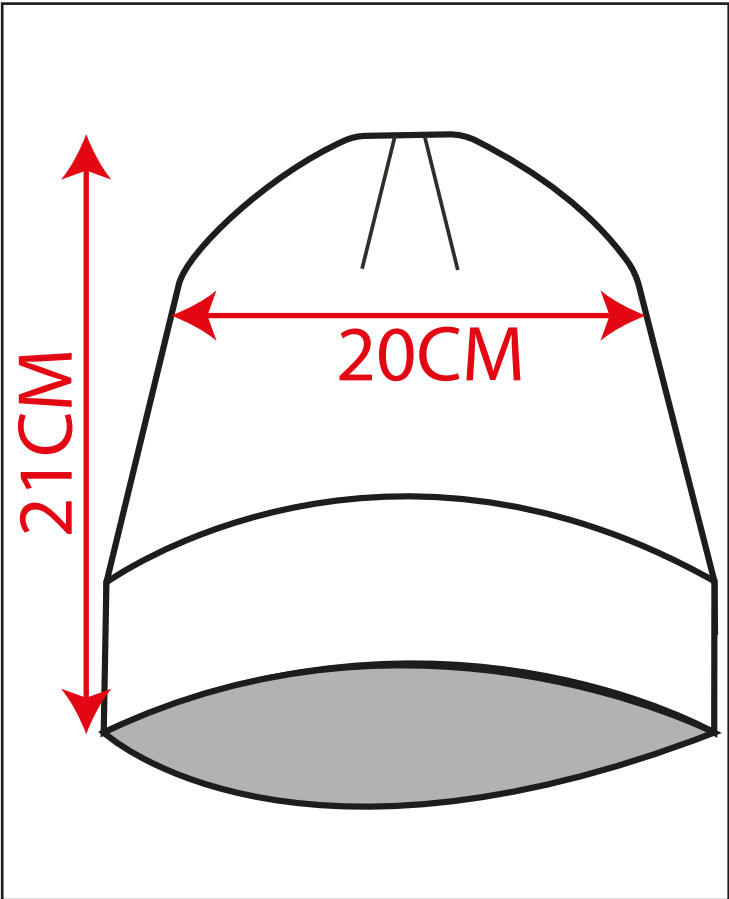
PRODUCT SPECIFICATION

STYLE NO: B013

DESCRIPTION: Insulated Cap



A



Rim Relaxed	Inches	A	18.1
	Centimetres		46
Rim Stretched	Inches	A	35.4
	Centimetres		90