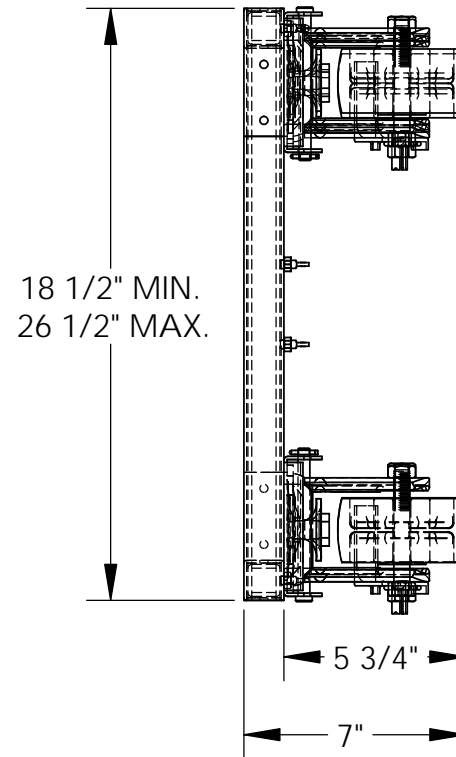
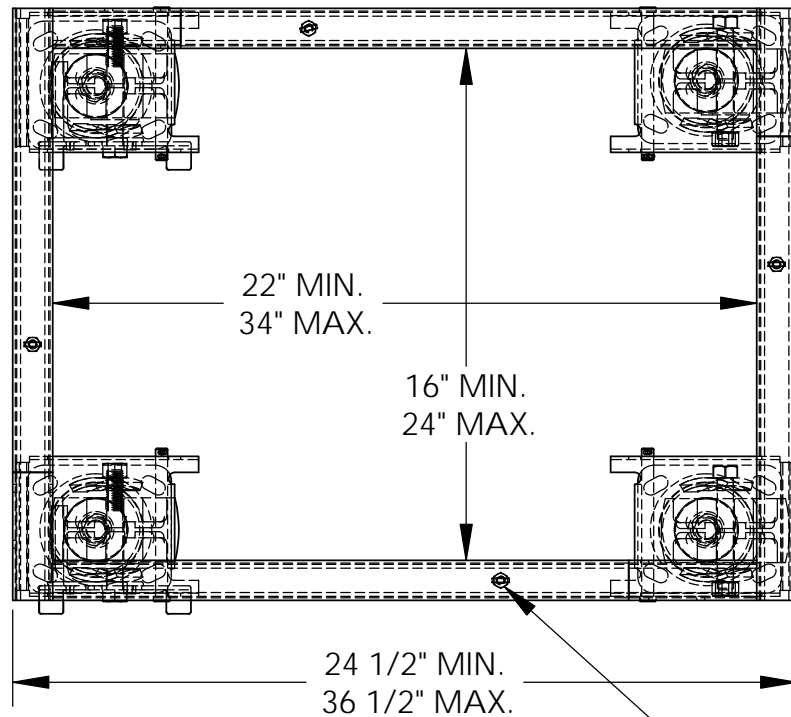


ADJUSTABLE TOTE DOLLIES - ATD-1622-4

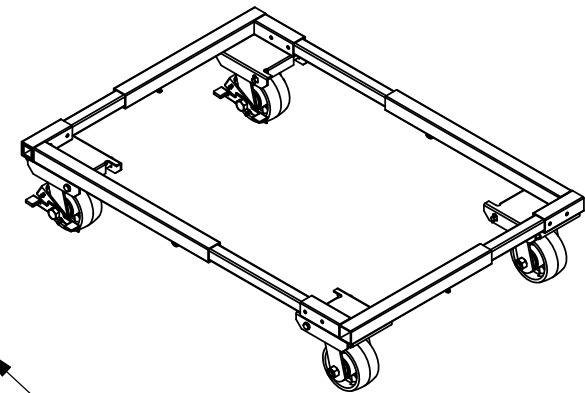
APPROX WEIGHT: 33.31 lbs.
 DOES NOT INCLUDE WEIGHT OF POWER OR PACKAGING!!!

*** ANY ADDITIONS, DELETIONS, OR OMISSIONS MUST BE CORRECTED ON THIS DRAWING AS THIS DRAWING WILL BE CONSIDERED ALL INCLUSIVE ***

ALL GRAPHICS PROVIDED ARE FOR REFERENCE ONLY. IF CERTAIN DIMENSIONS ARE CRITICAL PLEASE VERIFY THOSE DIMENSIONS WITH YOUR SALESPERSON



3-D FOR REF. ONLY
 SCALE 1:14



GLASS-FILLED-NYLON
 SWIVEL CASTERS W/BRAKES

THUMB SCREW

STANDARD FEATURES

- MODEL NUMBER IS ATD-1622-4
- CAPACITY IS 2,000 LBS.
- OVERALL WIDTH IS 18 1/2" TO 26 1/2"
- USABLE WIDTH IS 16" TO 24"
- OVERALL LENGTH IS 24 1/2" TO 36 1/2"
- USABLE LENGTH IS 22" TO 34"
- OVERALL HEIGHT IS 7"
- USABLE HEIGHT IS 5 3/4"
- CASTERS: 4 X 2 GLASS-FILLED-NYLON CASTER
 - 2- SWIVEL CASTERS
 - 2- SWIVEL CASTERS W/ BRAKE

SPECIAL FEATURES

NONE

A P P R O V A L	I, THE UNDERSIGNED, AGREE THAT THE PRODUCT AS REPRESENTED SATISFIES DESIGN AND DIMENSION REQUIREMENTS. I ALSO ACKNOWLEDGE MY DUTY TO CONFIRM PRODUCT AND INSTALLATION COMPLIANCE WITH ALL APPLICABLE FEDERAL, STATE AND LOCAL REGULATIONS AND STANDARDS.	
	ALL SPECIAL UNITS ARE NON-RETURNABLE <input type="checkbox"/> As drawn <input type="checkbox"/> As marked	
Signed: _____		Date: _____
LEAD TIME WILL START UPON RECEIPT OF SIGNED APPROVAL DRAWING		

DISTRIBUTOR'S NAME:		P.O.#
VESTIL MANUFACTURING		X
DRAWN BY: CA	DATE: 09/27/2011	W.O.#
REFERENCE: X	SCALE: 1:6	X
QUOTED LEAD TIME: X	QUOTE #	SALES: X
	X	FILE NAME:
		32-007-033